

ANSI 150#

Cast Steel Y-STRAINERS

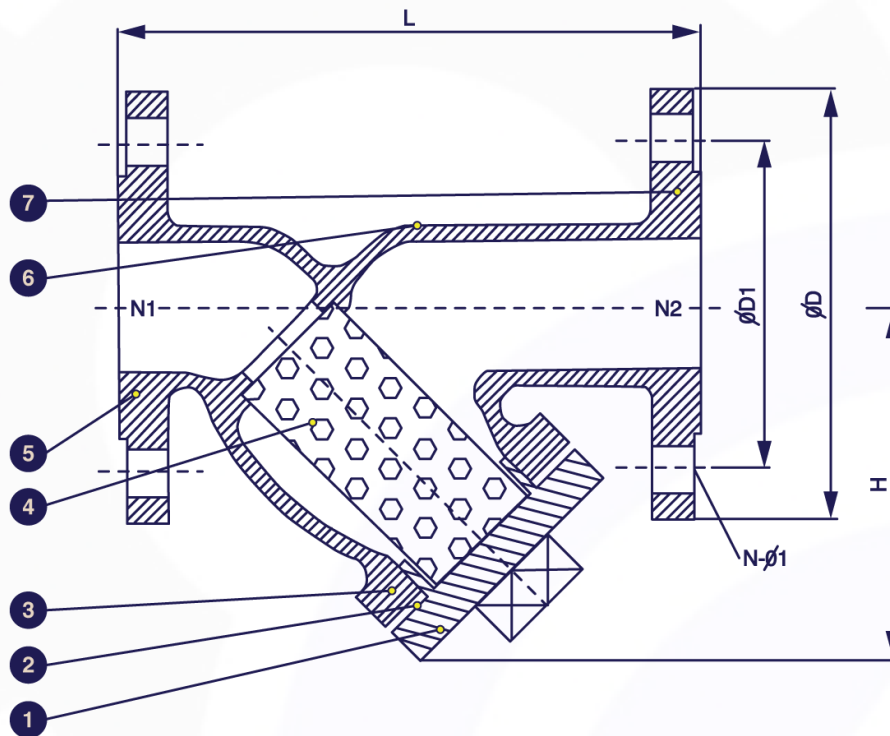


Features

- Size: 1" – 4" (DN25 - DN100)
- ANSI 150# Flange connection
- Working Pressure: 150#
- Material: Cast Steel
- Temperature Range: -29°C to 150°C
- Screen: 1.0mm (Mesh Size 40)
- Applicable Medium: General oil, gas & water applications
- Used to collect containment and particles



**ANSI 150# Cast Steel
Flange End Y-Strainers**



Technical Specifications

1. Basic design and manufacture according to ASME B16.34.
2. Flange connection per ASME B16.5.
3. Inspection and tested according to API 598.

Main Technical Parameter			
Normal pressure		150	LB
Test pressure	Shell test pressure	3.0	MPa
	Seal test	-	
	Gas test	-	
Max working temperature		-29 to 150	°C
Applicable Medium: General oil, gas & water			

Ordering Information

VL	-	CS	-	YS	-	F	-	150	-	24
I		II		III		IV		V		VI

I	Type of Item		
VL	Low Pressure Valves		

II	Material Grade		
S	SS316, CF8M	CI	Cast Iron
FS	Forged Steel	CS	Cast Steel
B	Brass		

III	Item		
GA	Gate Valve	B1	1 PC Ball Valve
GL	Globe Valve	B2	2 PC Ball Valve
YS	Y-Strainer	B3	3 PC Ball Valve
SC	Swing Check Valve	BL	3 Way Ball Valve L Port
VC	Vertical Check Valve	BT	3 Way Ball Valve T Port
WC	Wafer Check Valve	BMF	Male x Female Mini Ball Valve
DD	Dual Disk	BU	Butterfly Valve

IV	Connection Type		
SW	S/W	G	BSPP
BW	B/W	N	NPT
R	BSPT	F	Flange End
W	Wafer	L	Lug

V	Pressure		
200	200 PSI	2000	2000 PSI
300	300 PSI	150	ANSI 150# Flange Standard
600	600 PSI	10K	JIS 10K Flange Standard
800	800 PSI	PN16	PN 16 Flange Standard
1000	1000 PSI		

For Inch OD & Inch NB Sizes

VI	Size							
Size	1/8"	1/4"	5/16"	3/8"	1/2"	5/8"	3/4"	1"
Code	02	04	05	06	08	10	12	16
Size	1 1/4"	1 1/2"	2"	2 1/2"	3"	4"	5"	6"
Code	20	24	32	40	48	64	80	96

VII	Coating		
(None)	No Additional Coating		
NI	Nickel Plating		

Material List

No.	Part Name	Material
1	Body	WCB
2	Filter Screen	SS304
3	Gasket	PTFE
4	Cover	WCB
5	Bolt	ASTM A193 B7
6	Nut	ASTM A194 2H

Dimension List

NPS	Connection	Impa Code	Part No	D	D1	L	H	z-Ød	Weight (Kg)
1	Flange-End	-	VL-CS-YS-F-150-16	110	79.4	150	70	4-Ø16	2.30
1 1/4"	Flange-End	-	VL-CS-YS-F-150-20	115	88.9	182	75	4-Ø16	3.80
1 1/2"	Flange-End	-	VL-CS-YS-F-150-24	125	98.4	200	90	4-Ø16	4.50
2"	Flange-End	-	VL-CS-YS-F-150-32	150	120.7	218	105	4-Ø18	6.00
2 1/2"	Flange-End	-	VL-CS-YS-F-150-40	180	140	245	150	4-Ø18	10.20
3"	Flange-End	-	VL-CS-YS-F-150-48	190	152.4	287	175	4-Ø18	13.20
4"	Flange-End	-	VL-CS-YS-F-150-64	230	190.5	306	200	8-Ø18	19.40

Part Number Reference

Impa Code	Part No	Description
-	VL-CS-YS-F-150-16	1" 150# CS FLANGE END Y-STRAINER WCB, MESH SIZE 1.0MM, BOLTED COVER
-	VL-CS-YS-F-150-20	1" 150# CS FLANGE END Y-STRAINER WCB, MESH SIZE 1.0MM, BOLTED COVER
-	VL-CS-YS-F-150-24	1 1/2" 150# CS FLANGE END Y-STRAINER WCB, MESH SIZE 1.0MM, BOLTED COVER
-	VL-CS-YS-F-150-32	2" 150# CS FLANGE END Y-STRAINER WCB, MESH SIZE 1.0MM, BOLTED COVER
-	VL-CS-YS-F-150-40	2 1/2" 150# CS FLANGE END Y-STRAINER WCB, MESH SIZE 1.0MM, BOLTED COVER
-	VL-CS-YS-F-150-48	3" 150# CS FLANGE END Y-STRAINER WCB, MESH SIZE 1.0MM, BOLTED COVER
-	VL-CS-YS-F-150-64	4" 150# CS FLANGE END Y-STRAINER WCB, MESH SIZE 1.0MM, BOLTED COVER



ANSI 150# Cast Steel Y-Strainers



AF HYDRO

Conditions of Use of Catalogue:

The information in the catalogue are not binding and in order to improve distribution, AF Hydro reserves the right to make any change including size and pressure ratings considered necessary at any time and without prior notice. According to the copyright and the civil law, any reproduction (also partial) of figures and texts of this catalogue by means of electronic, mechanical, photocopies, microfilms, recordings or other is forbidden without AF Hydro's authorization.