

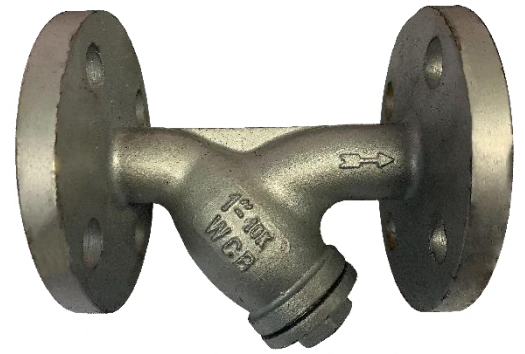
JIS 10K

Cast Steel Y-STRAINERS

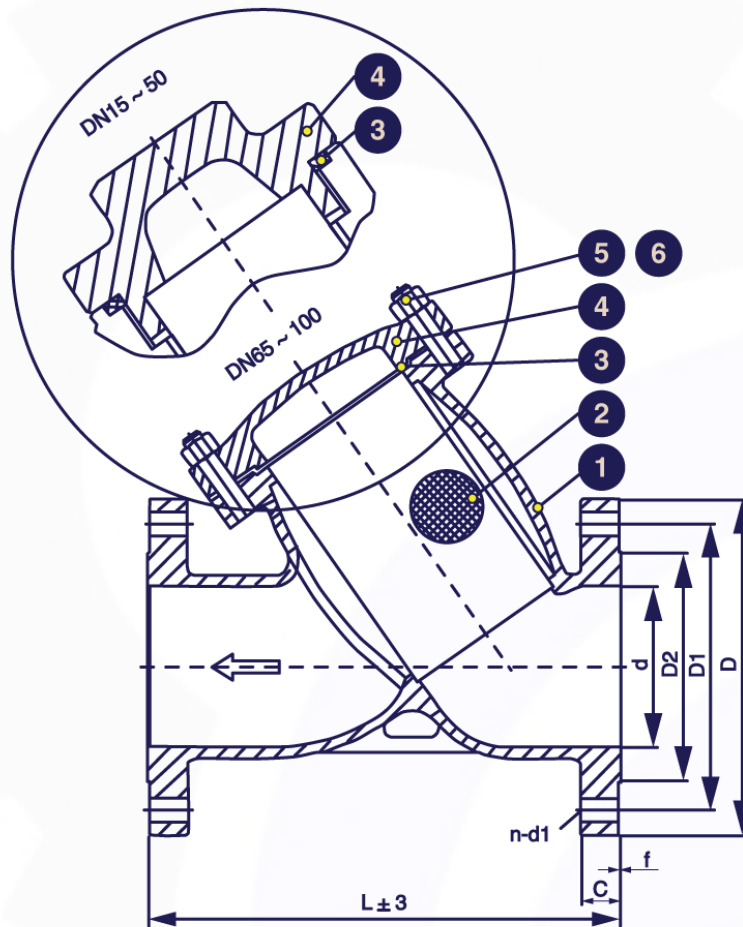


Features

- Size: 1" – 4" (DN25 - DN100)
- JIS 10K Flange Connection
- Working Pressure: 10kg/cm²
- Temperature Range: -29°C to 150°C
- Screen: 1.0mm (Mesh Size 40)
- Applicable Medium: General oil, gas & water applications
- Used to collect containment and particles



JIS 10K Cast Steel
Flange End Y-Strainers



Technical Specifications

1. Basic design and manufacture according to JIS B2071.
2. Flange connection per JIS B 2220.
3. Inspection and tested according to JIS B2003.

Main Technical Parameter		
Normal pressure	10	K
Test pressure	Shell test	3.0
	Seal test	-
	Gas test	-
Max working temperature	-29 to 150	°C
Applicable Medium: General oil, gas & water		

Ordering Information

VL	-	CS	-	YS	-	F	-	10K	-	16
I		II		III		IV		V		VI

I	Type of Item		
VL	Low Pressure Valves		

III	Item		
GA	Gate Valve	B1	1 PC Ball Valve
GL	Globe Valve	B2	2 PC Ball Valve
YS	Y-Strainer	B3	3 PC Ball Valve
SC	Swing Check Valve	BL	3 Way Ball Valve L Port
VC	Vertical Check Valve	BT	3 Way Ball Valve T Port
WC	Wafer Check Valve	BMF	Male x Female Mini Ball Valve
DD	Dual Disk	BU	Butterfly Valve

IV	Connection Type		
SW	S/W	G	BSPP
BW	B/W	N	NPT
R	BSPT	F	Flange End
W	Wafer	L	Lug

V	Pressure		
200	200 PSI	2000	2000 PSI
300	300 PSI	150	ANSI 150# Flange Standard
600	600 PSI	10K	JIS 10K Flange Standard
800	800 PSI	PN16	PN 16 Flange Standard
1000	1000 PSI		

For Inch OD & Inch NB Sizes

VI	Size							
Size	1/8"	1/4"	5/16"	3/8"	1/2"	5/8"	3/4"	1"
Code	02	04	05	06	08	10	12	16
Size	1 1/4"	1 1/2"	2"	2 1/2"	3"	4"	5"	6"
Code	20	24	32	40	48	64	80	96

VII	Coating		
(None)	No Additional Coating		
NI	Nickel Plating		

Material List

No.	Part Name	Material
1	Body	WCB
2	Filter Screen	SS304
3	Gasket	PTFE
4	Cover	WCB
5	Bolt	ASTM A193 B7
6	Nut	ASTM A194 2H

Dimension List

NPS	Connection	Impa Code	Part No	d	D	D1	D2	L	C	f	n-d1	Weight (Kg)
1"	Flange-End	-	VL-CS-YS-F-10K-16	25	125	90	68	154	16	2	4-M16	2.50
1 1/4"	Flange-End	-	VL-CS-YS-F-10K-20	32	136	101	75	180	16	2	4-M16	4.40
1 1/2"	Flange-End	-	VL-CS-YS-F-10K-24	40	140	105	81	200	16	2	4-M16	5.00
2"	Flange-End	-	VL-CS-YS-F-10K-32	50	155	120	96	220	16	2	4-M16	8.00
2 1/2"	Flange-End	-	VL-CS-YS-F-10K-40	65	175	140	116	255	18	2	4-M16	11.50
3"	Flange-End	-	VL-CS-YS-F-10K-48	80	185	150	126	280	18	2	8-M16	15.00
4"	Flange-End	-	VL-CS-YS-F-10K-64	100	210	175	151	310	18	2	8-M16	22.00

Part Number Reference

Impa Code	Part No	Description
-	VL-CS-YS-F-10K-16	1" JIS10K CS FLANGE END Y-STRAINER WCB, MESH SIZE 1.0MM, BOLTED COVER
-	VL-CS-YS-F-10K-20	1 1/4" JIS10K CS FLANGE END Y-STRAINER WCB, MESH SIZE 1.0MM, BOLTED COVER
-	VL-CS-YS-F-10K-24	1 1/2" JIS10K CS FLANGE END Y-STRAINER WCB, MESH SIZE 1.0MM, BOLTED COVER
-	VL-CS-YS-F-10K-32	2" JIS10K CS FLANGE END Y-STRAINER WCB, MESH SIZE 1.0MM, BOLTED COVER
-	VL-CS-YS-F-10K-40	2 1/2" JIS10K CS FLANGE END Y-STRAINER WCB, MESH SIZE 1.0MM, BOLTED COVER
-	VL-CS-YS-F-10K-48	3" JIS10K CS FLANGE END Y-STRAINER WCB, MESH SIZE 1.0MM, BOLTED COVER
-	VL-CS-YS-F-10K-64	4" JIS10K CS FLANGE END Y-STRAINER WCB, MESH SIZE 1.0MM, BOLTED COVER



AF HYDRO

Conditions of Use of Catalogue:

The information in the catalogue are not binding and in order to improve distribution, AF Hydro reserves the right to make any change including size and pressure ratings considered necessary at any time and without prior notice. According to the copyright and the civil law, any reproduction (also partial) of figures and texts of this catalogue by means of electronic, mechanical, photocopies, microfilms, recordings or other is forbidden without AF Hydro's authorization.