



JIS 10K

# Cast Iron GATE VALVES



### Features

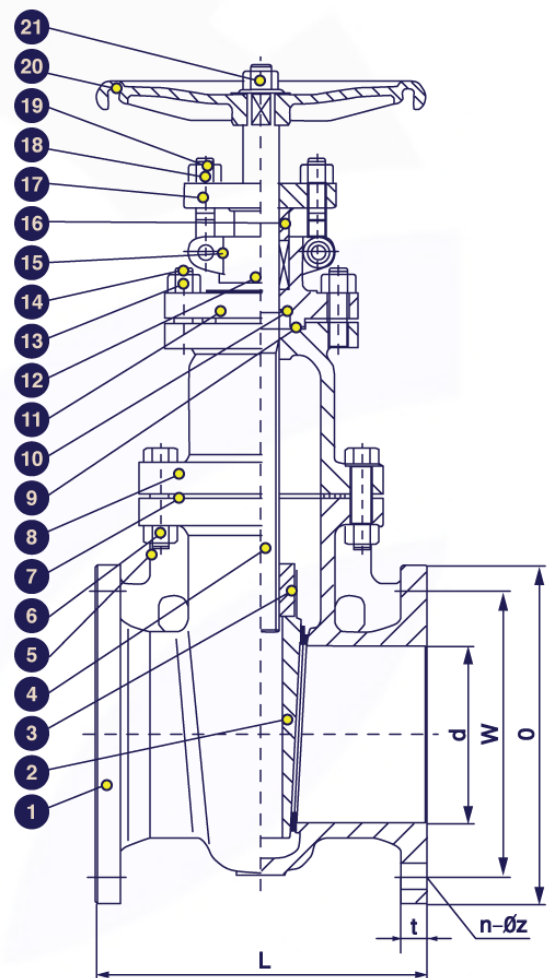
- JIS 10K Flange Connection
- Size: 2" – 4" (DN50 – DN100)
- Valve Body Material: Cast Iron
- Working Pressure: 10kg/cm<sup>2</sup>
- Applicable Medium: General oil, gas and water applications
- Temperature Range: ≤ 205°C



**JIS 10K Cast Iron  
Flange End Gate Valves**

### Material List

No.	Part Name	Material
1	Body	ASTM A126 B + SS
2	Wedge	ASTM A126 B + SS
3	Stem Nut	ASTM A276 410
4	Stem	ASTM A276 410
5	Bolts	ASTM A29 1035
6	Nuts	ASTM A29 1025
7	Gasket	SS304+Graphite
8	Bonnet	ASTM A126 B
9	Gasket	Flexible Graphite
10	Thrust Washer	SS
11	Yoke	ASTM A126 B
12	Packing	Flexible Graphite
13	Nuts	ASTM A29 1025
14	Bolts	ASTM A29 1035
15	Pin	ASTM A29 1025
16	Packing Gland	ASTM A276 410
17	Gland Flange	ASTM A126 B
18	Nuts	ASTM A29 1025
19	Eye Bolts	ASTM A29 1035
20	Handwheel	ASTM A47 32510
21	Nut	ASTM A29 1025



### Technical Specifications

1. Basic design and manufacture according to ASME B16.10
2. Face to face dimension: ASME B16.10
3. Flange End: JIS B2212
4. Inspection and test: API 598

Main Technical Parameter			
Normal pressure		10K	
Test pressure	Hydraulic body test	2.06	MPa
	Seal test	1.57	
	Hermetical seal test	0.6	
Max working temperature		≤ 205°C	
Applicable Medium: General oil, gas & water			

### Features

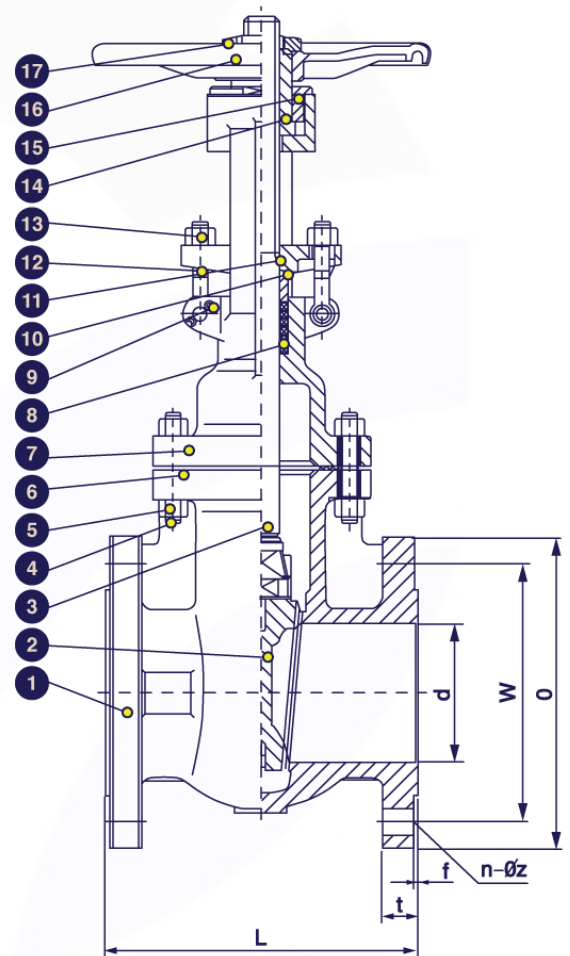
- JIS 10K Flange Connection
- Size: 5" – 6" (DN125 – DN150)
- Valve Body Material: Cast Iron
- Working Pressure: 10kg/cm<sup>2</sup>
- Applicable Medium: General oil, gas and water applications
- Temperature Range: ≤ 429°C



JIS 10K Cast Iron  
Flange End Gate Valves

### Material List

No.	Part Name	Material
1	Body	ASTM A126 B + SS304
2	Wedge	ASTM A126 B + SS304
3	Stem	ASTM A276 304
4	Bolts	ASTM A29 1035
5	Nuts	ASTM A29 1025
6	Gasket	SS304 + Graphite
7	Bonnet	ASTM A126 B
8	Packing	Flexible Graphite
9	Pin	ASTM A29 1045
10	Packing Gland	ASTM A276 304
11	Gland Flange	ASTM A126 B
12	Eye Bolts	ASTM A29 1035
13	Nuts	ASTM A29 1025
14	Stem Nut	ASTM A276 410
15	Cover	ASTM A29 1025
16	Handwheel	ASTM A47 32510
17	Nut	ASTM A29 1025



### Technical Specifications

5. Basic design and manufacture according to ASME B16.10
6. Face to face dimension: ASME B16.10
7. Flange End: JIS B2212
8. Inspection and test: API 598

Main Technical Parameter			
Normal pressure		10K	
Test pressure	Hydraulic body test	2.06	MPa
	Seal test	1.57	
	Hermetical seal test	0.6	
Max working temperature		≤ 429°C	
Applicable Medium: General oil, gas & water			

## Ordering Information

VL	-	CI	-	GA	-	F	-	10K	-	32
I		II		III		IV		V		VI

<b>I</b>	<b>Type of Item</b>		
VL	Low Pressure Valves		

<b>II</b>	<b>Material Grade</b>		
S	SS316, CF8M	CI	Cast Iron
FS	Forged Steel	CS	Cast Steel
B	Brass		

<b>III</b>	<b>Item</b>		
GA	Gate Valve	B1	1 PC Ball Valve
GL	Globe Valve	B2	2 PC Ball Valve
YS	Y-Strainer	B3	3 PC Ball Valve
SC	Swing Check Valve	BL	3 Way Ball Valve L Port
VC	Vertical Check Valve	BT	3 Way Ball Valve T Port
WC	Wafer Check Valve	BMF	Male x Female Mini Ball Valve
DD	Dual Disk	BU	Butterfly Valve

<b>IV</b>	<b>Connection Type</b>		
SW	S/W	G	BSPP
BW	B/W	N	NPT
R	BSPT	F	Flange End
W	Wafer	L	Lug

<b>V</b>	<b>Pressure</b>		
200	200 PSI	2000	2000 PSI
300	300 PSI	150	ANSI 150# Flange Standard
600	600 PSI	10K	JIS 10K Flange Standard
800	800 PSI	PN16	PN 16 Flange Standard
1000	1000 PSI		

## For Inch OD & Inch NB Sizes

<b>VI</b>	<b>Size</b>							
Size	1/8"	1/4"	5/16"	3/8"	1/2"	5/8"	3/4"	1"
Code	02	04	05	06	08	10	12	16
Size	1 1/4"	1 1/2"	2"	2 1/2"	3"	4"	5"	6"
Code	20	24	32	40	48	64	80	96

<b>VII</b>	<b>Coating</b>		
(None)	No Additional Coating		
NI	Nickel Plating		

## Dimension List

### DN50 – DN100

NPS	Part No	d	L	O	W	n – Øz	t	Weight (Kg)
2"	VL-CI-GA-F-10K-32	50	200	155	120	4-Ø19	20	19.10
2 1/2"	VL-CI-GA-F-10K-40	65	220	175	140	4-Ø19	22	25.60
3"	VL-CI-GA-F-10K-48	80	230	185	150	8-Ø19	22	34.00
4"	VL-CI-GA-F-10K-64	100	250	210	175	8-Ø19	24	45.80

### DN125 – DN150

NPS	Part No	d	L	O	W	n – Øz	t	f	Weight (Kg)
5"	VL-CI-GA-F-10K-80	125	250	250	216	8-Ø22	23.9	2	49.00
6"	VL-CI-GA-F-10K-96	150	270	280	241.5	8-Ø22	25.4	2	60.20

## Part Number Reference

Part No	Description
VL-CI-GA-F-10K-32	2"JIS10K CI FLANGE END GATE VALVE FF, NON-RISING STEM, JIS F7364
VL-CI-GA-F-10K-40	2 1/2"JIS10K CI FLANGE END GATE VALVE FF, NON-RISING STEM, JIS F7364
VL-CI-GA-F-10K-48	3"JIS10K CI FLANGE END GATE VALVE FF, NON-RISING STEM, JIS F7364
VL-CI-GA-F-10K-64	4"JIS10K CI FLANGE END GATE VALVE FF, NON-RISING STEM, JIS F7364
VL-CI-GA-F-10K-80	5"JIS10K CI FLANGE END GATE VALVE RF, RISING STEM, SS304 TRIM
VL-CI-GA-F-10K-96	6"JIS10K CI FLANGE END GATE VALVE RF, RISING STEM, SS304 TRIM



## JIS 10K Cast Iron Gate Valves



### AF HYDRO

#### Conditions of Use of Catalogue:

The information in the catalogue are not binding and in order to improve distribution, AF Hydro reserves the right to make any change including size and pressure ratings considered necessary at any time and without prior notice. According to the copyright and the civil law, any reproduction (also partial) of figures and texts of this catalogue by means of electronic, mechanical, photocopies, microfilms, recordings or other is forbidden without AF Hydro's authorization.