



ANSI 300# Cast Steel

Flange End BALL VALVES

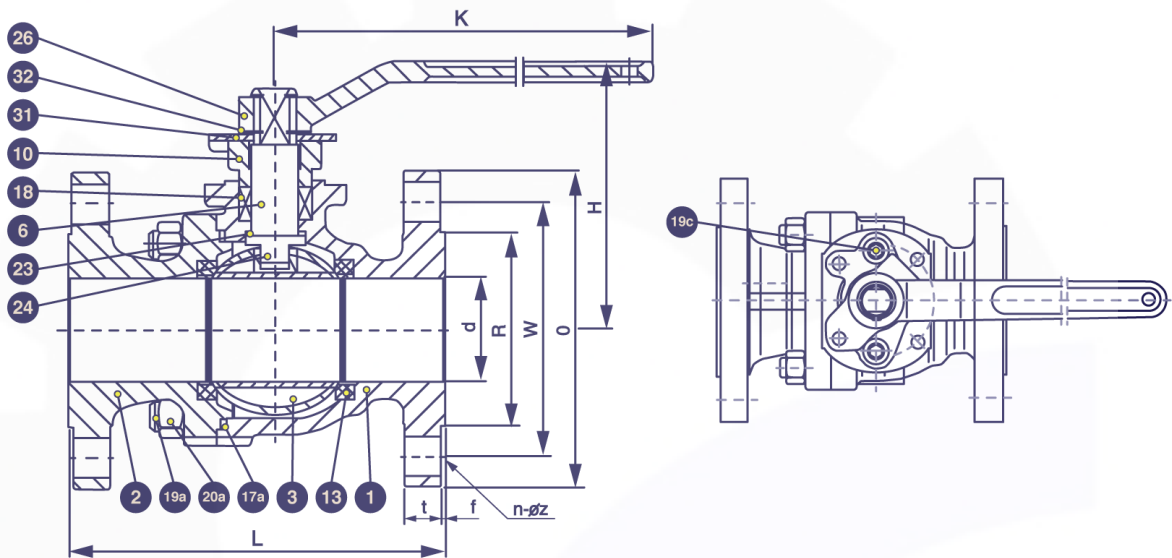


Features

- Full Bore
- Solid Ball
- ANSI 300# Flange Connection
- Sizes: 1 1/2" - 6" (DN40 – DN150)
- Working Pressure: 300#
- Valve Body Material: A216 WCB
- Applicable Medium: General Oil, Gas & Water Applications
- Blow-out Proof Stem Design
- Temperature: ≤ 100 Deg C



ANSI 300# Cast Steel
Flange End Ball Valves



Technical Specifications

1. Basic design and manufacture according to API 608
2. Valve body wall thickness according to ASME B16.34
3. Face-to-face dimensions complies with ASME B16.10
4. Flange ends complied with ASME B16.5
5. Inspection and tested according to API 598

Main Technical Parameter			
Normal pressure		300#	
Test pressure	Body test pressure	7.8	MPa
	Seat test pressure	5.6	
	Hermetical sealing test	0.6	
Max working temperature		≤ 100	°C
Applicable medium: General oil, gas & water			

Material List

No.	Part Name	Material	No.	Part Name	Material
1	Body	ASTM A216 WCB	19a	Bolts	ASTM A193 B7
2	Body Connector	ASTM A216 WCB	19c	Screw	ASTM A193 B7
3	Ball	ASTM A240 304	20a	Nuts	ASTM A194 2H
6	Stem	ASTM A182 F304	23	Thrust Washer	PTFE
10	Packing Gland	ASTM A216 WCB	24	Anti-static Device	SS304
13	Seat	PTFE	26	Lever	ASTM A216 WCB+Zn
17a	Gasket	SS304+Graphite	31	Stopper	ASTM A29 1025+Zn
18	Packing	Flexible Graphite	32	Ring	ASTM A29 1566

Ordering Information

VL	-	CS	-	B2	-	F	-	300	-	08
I		II		III		IV		V		VI

I	Type of Item		
VL	Low Pressure Valves		

II	Material Grade		
S	SS316, CF8M	CI	Cast Iron
FS	Forged Steel	CS	Cast Steel
B	Brass		

III	Item		
GA	Gate Valve	B1	1 PC Ball Valve
GL	Globe Valve	B2	2 PC Ball Valve
YS	Y-Strainer	B3	3 PC Ball Valve
SC	Swing Check Valve	BL	3 Way Ball Valve L Port
VC	Vertical Check Valve	BT	3 Way Ball Valve T Port
WC	Wafer Check Valve	BMF	Male x Female Mini Ball Valve
DD	Dual Disk	BU	Butterfly Valve

IV	Connection Type		
SW	S/W	G	BSPP
BW	B/W	N	NPT
R	BSPT	F	Flange End
W	Wafer	L	Lug

V	Pressure		
200	200 PSI	2000	2000 PSI
300	300 PSI	150	ANSI 150# Flange Standard
600	600 PSI	10K	JIS 10K Flange Standard
800	800 PSI	PN16	PN 16 Flange Standard
1000	1000 PSI		

For Inch OD & Inch NB Sizes

VI	Size							
Size	1/8"	1/4"	5/16"	3/8"	1/2"	5/8"	3/4"	1"
Code	02	04	05	06	08	10	12	16
Size	1 1/4"	1 1/2"	2"	2 1/2"	3"	4"	5"	6"
Code	20	24	32	40	48	64	80	96

VII	Coating		
(None)	No Additional Coating		
NI	Nickel Plating		

Dimension List

NPS	Connection	Impa Code	Part No	L	d	O	W	R	n-Øz	f	t	H	K	Weight (Kg)
1 1/2"	Flange End	-	VL-CS-B2-F-300-24	190	40	155	116	77	4 - Ø 22	2	20	130	195	10.60
2"	Flange End	-	VL-CS-B2-F-300-32	216	50	165	128	98	8 - Ø 19	2	20.5	140	235	13.68
2 1/2"	Flange End	-	VL-CS-B2-F-300-40	241	65	191	150	110	8 - Ø 22	2	23	165	255	19.90
3"	Flange End	-	VL-CS-B2-F-300-48	282	78	210	168	133	8 - Ø 22	2	27	185	275	30.40
4"	Flange End	-	VL-CS-B2-F-300-64	305	100	255	200	165	8 - Ø 22	2	30	195	520	48.50
6"	Flange End	-	VL-CS-B2-F-300-96	403	150	320	272	222	12- Ø 22	2	36.5	260	775	99.20

Part Number Reference

Impa Code	Part No	Description
-	VL-CS-B2-F-300-24	1 1/2" 300# CS FLANGE END BALL VALVE WCB, NON-FIRE SAFE DESIGN, SOLID BALL
-	VL-CS-B2-F-300-32	2" 300# CS FLANGE END BALL VALVE WCB, NON-FIRE SAFE DESIGN, SOLID BALL
-	VL-CS-B2-F-300-40	2 1/2" 300# CS FLANGE END BALL VALVE WCB, NON-FIRE SAFE DESIGN, SOLID BALL
-	VL-CS-B2-F-300-48	3" 300# CS FLANGE END BALL VALVE WCB, NON-FIRE SAFE DESIGN, SOLID BALL
-	VL-CS-B2-F-300-64	4" 300# CS FLANGE END BALL VALVE WCB, NON-FIRE SAFE DESIGN, SOLID BALL
-	VL-CS-B2-F-300-96	6" 300# CS FLANGE END BALL VALVE WCB, NON-FIRE SAFE DESIGN, SOLID BALL



ANSI 300# Cast Steel Flange End Ball Valves



AF HYDRO

Conditions of Use of Catalogue:

The information in the catalogue are not binding and in order to improve distribution, AF Hydro reserves the right to make any change including size and pressure ratings considered necessary at any time and without prior notice. According to the copyright and the civil law, any reproduction (also partial) of figures and texts of this catalogue by means of electronic, mechanical, photocopies, microfilms, recordings or other is forbidden without AF Hydro's authorization.