



© AF Hydro 2023. All rights reserved.

WEBSITE:

www.afhydro.com

Threaded End 200 PSI

Stainless Steel GATE VALVES



Features

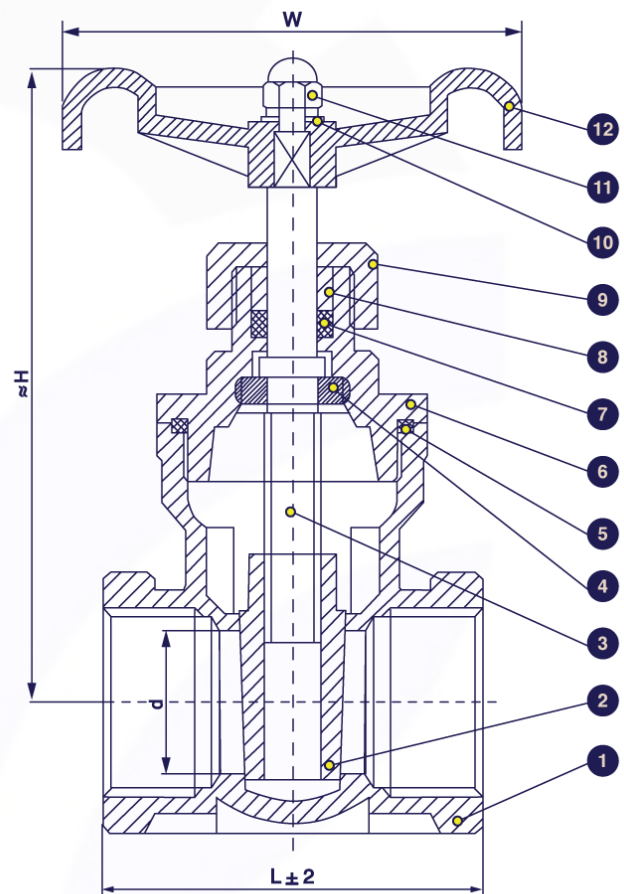
- Threaded End: BSPP, NPT
- Size: 1/2" – 2" (DN15 – DN50)
- Valve Body Material: SS316
- Working Pressure: 200 PSI
- Applicable Medium: General oil, gas and water applications
- Temperature Range: -29°C to 150°C



Threaded End SS316
Gate Valves 200 PSI

Material List

No.	Part Name	Material
1	Body	A351 CF8/CF8M
2	Wedge	A351 CF8/CF8M
3	Stem	SS316
4	Stem Holder	SS316
5	Gasket	PTFE
6	Bonnet	A351 CF8/CF8M
7	Packing	PTFE
8	Ring	SS316
9	Cap	A351 CF8/CF8M
10	Gasket	SS304
11	Nut	SS304
12	Handwheel	ZL101



Technical Specifications

1. Basic design and manufacture according to ASME B16.34
2. Inspection and test for according to API 598
3. Connection screw for the valve according to ASME B1.20.1, BS2779

Main Technical Parameter			
Nominal Pressure		200 PSI	
Test Pressure	Shell Test	2.1	MPa
	Seal Test	1.6	
	Gas Test	0.6	
Max Working Temperature		-29°C to 150°C	
Applicable Medium: General oil, gas & water			

Ordering Information

VL	-	S	-	GA	-	N	-	200	-	08
I		II		III		IV		V		VI

I	Type of Item		
VL	Low Pressure Valves		

II	Material Grade		
S	SS316, CF8M	CI	Cast Iron
FS	Forged Steel	CS	Cast Steel
B	Brass		

III	Item		
GA	Gate Valve	B1	1 PC Ball Valve
GL	Globe Valve	B2	2 PC Ball Valve
YS	Y-Strainer	B3	3 PC Ball Valve
SC	Swing Check Valve	BL	3 Way Ball Valve L Port
VC	Vertical Check Valve	BT	3 Way Ball Valve T Port
WC	Wafer Check Valve	BMF	Male x Female Mini Ball Valve
DD	Dual Disk	BU	Butterfly Valve

IV	Connection Type		
SW	S/W	G	BSPP
BW	B/W	N	NPT
R	BSPT	F	Flange End
W	Wafer	L	Lug

V	Pressure		
200	200 PSI	2000	2000 PSI
300	300 PSI	150	ANSI 150# Flange Standard
600	600 PSI	10K	JIS 10K Flange Standard
800	800 PSI	PN16	PN 16 Flange Standard
1000	1000 PSI		

For Inch OD & Inch NB Sizes

VI	Size							
Size	1/8"	1/4"	5/16"	3/8"	1/2"	5/8"	3/4"	1"
Code	02	04	05	06	08	10	12	16
Size	1 1/4"	1 1/2"	2"	2 1/2"	3"	4"	5"	6"
Code	20	24	32	40	48	64	80	96

VII	Coating		
(None)	No Additional Coating		
NI	Nickel Plating		

Dimension List

NPS	d	L	H	W	Weight (Kg)
1/2"	13.7	55	95	70	0.37
3/4"	18.3	60	102	70	0.47
1"	24.2	65	115	80	0.59
1 1/4"	25.3	75	130	80	0.82
1 1/2"	31.6	80	145	100	1.16
2"	44.5	95	170	100	1.64

Part Number Reference

Part No	Description
VL-S-GA-G-200-08	1/2"BSPP SS316 GATE VALVE 200 PSI
VL-S-GA-G-200-12	3/4"BSPP SS316 GATE VALVE 200 PSI
VL-S-GA-G-200-16	1"BSPP SS316 GATE VALVE 200 PSI
VL-S-GA-G-200-20	1 1/4"BSPP SS316 GATE VALVE 200 PSI
VL-S-GA-G-200-24	1 1/2"BSPP SS316 GATE VALVE 200 PSI
VL-S-GA-G-200-32	2"BSPP SS316 GATE VALVE 200 PSI
VL-S-GA-N-200-08	1/2"NPT SS316 GATE VALVE 200 PSI
VL-S-GA-N-200-12	3/4"NPT SS316 GATE VALVE 200 PSI
VL-S-GA-N-200-16	1"NPT SS316 GATE VALVE 200 PSI
VL-S-GA-N-200-20	1 1/4"NPT SS316 GATE VALVE 200 PSI
VL-S-GA-N-200-24	1 1/2"NPT SS316 GATE VALVE 200 PSI
VL-S-GA-N-200-32	2"NPT SS316 GATE VALVE 200 PSI



Threaded End 200 PSI SS316 Gate Valves



AF HYDRO

Conditions of Use of Catalogue:

The information in the catalogue are not binding and in order to improve distribution, AF Hydro reserves the right to make any change including size and pressure ratings considered necessary at any time and without prior notice. According to the copyright and the civil law, any reproduction (also partial) of figures and texts of this catalogue by means of electronic, mechanical, photocopies, microfilms, recordings or other is forbidden without AF Hydro's authorization.