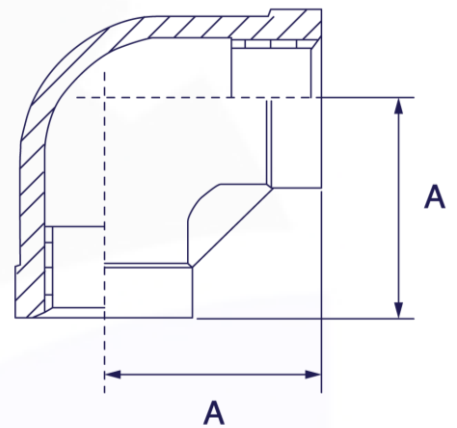


**90D ELBOW (BSPT THREADED)**

Size	Part No.	Impa Code	A	Weight (Kg)
1/8"	FL-S-L90-R-150-02	73 25 01	14.0	0.0202
1/4"	FL-S-L90-R-150-04	73 25 02	18.5	0.0320
3/8"	FL-S-L90-R-150-06	73 25 03	20.8	0.0476
1/2"	FL-S-L90-R-150-08	73 25 04	25.0	0.0730
3/4"	FL-S-L90-R-150-12	73 25 05	27.5	0.1104
1"	FL-S-L90-R-150-16	73 25 06	33.0	0.1876
1 1/4"	FL-S-L90-R-150-20	73 25 07	39.5	0.3068
1 1/2"	FL-S-L90-R-150-24	73 25 08	43.0	0.3928
2"	FL-S-L90-R-150-32	73 25 09	52.0	0.6268
2 1/2"	FL-S-L90-R-150-40	-	61.0	1.3330
3"	FL-S-L90-R-150-48	-	70.5	1.5600
4"	FL-S-L90-R-150-64	-	89.0	2.9000



**90D ELBOW (NPT THREADED)**

Size	Part No.	Impa Code	A	Weight (Kg)
1/8"	FL-S-L90-N-150-02	-	14.0	0.0202
1/4"	FL-S-L90-N-150-04	-	18.5	0.0320
3/8"	FL-S-L90-N-150-06	-	20.8	0.0476
1/2"	FL-S-L90-N-150-08	-	25.0	0.0730
3/4"	FL-S-L90-N-150-12	-	27.5	0.1104
1"	FL-S-L90-N-150-16	-	33.0	0.1876
1 1/4"	FL-S-L90-N-150-20	-	39.5	0.3068
1 1/2"	FL-S-L90-N-150-24	-	43.0	0.3928
2"	FL-S-L90-N-150-32	-	52.0	0.6268
2 1/2"	FL-S-L90-N-150-40	-	61.0	1.3330
3"	FL-S-L90-N-150-48	-	70.5	1.5600
4"	FL-S-L90-N-150-64	-	89.0	2.9000