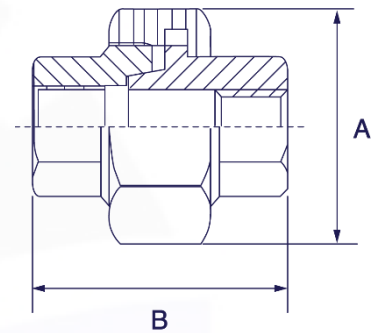


UNION F/F CONICAL (BSPT THREADED)

Size	Part No.	Impa Code	A	B	Weight (Kg)
1/8"	FL-S-UC-R-150-02	73 26 16	29.1	25.0	0.0540
1/4"	FL-S-UC-R-150-04	73 26 17	29.1	33.9	0.1000
3/8"	FL-S-UC-R-150-06	73 26 18	34.0	36.0	0.1300
1/2"	FL-S-UC-R-150-08	73 26 19	37.5	39.0	0.1700
3/4"	FL-S-UC-R-150-12	73 26 20	44.5	41.0	0.2600
1"	FL-S-UC-R-150-16	73 26 21	53.5	50.0	0.3500
1 1/4"	FL-S-UC-R-150-20	73 26 22	64.0	51.0	0.5400
1 1/2"	FL-S-UC-R-150-24	73 26 23	71.5	57.0	0.6200
2"	FL-S-UC-R-150-32	73 26 24	85.5	62.0	1.0100
2 1/2"	FL-S-UC-R-150-40	-	101.0	68.5	1.8790
3"	FL-S-UC-R-150-48	-	117.0	78.0	2.5910
4"	FL-S-UC-R-150-64	-	147.0	91.5	4.3400



UNION F/F CONICAL (NPT THREADED)

Size	Part No.	Impa Code	A	B	Weight (Kg)
1/8"	FL-S-UC-N-150-02	-	29.1	25.0	0.0540
1/4"	FL-S-UC-N-150-04	-	29.1	33.9	0.1000
3/8"	FL-S-UC-N-150-06	-	34.0	36.0	0.1300
1/2"	FL-S-UC-N-150-08	-	37.5	39.0	0.1700
3/4"	FL-S-UC-N-150-12	-	44.5	41.0	0.2600
1"	FL-S-UC-N-150-16	-	53.5	50.0	0.3500
1 1/4"	FL-S-UC-N-150-20	-	64.0	51.0	0.5400
1 1/2"	FL-S-UC-N-150-24	-	71.5	57.0	0.6200
2"	FL-S-UC-N-150-32	-	85.5	62.0	1.0100
2 1/2"	FL-S-UC-N-150-40	-	101.0	68.5	1.8790
3"	FL-S-UC-N-150-48	-	117.0	78.0	2.5910
4"	FL-S-UC-N-150-64	-	147.0	91.5	4.3400