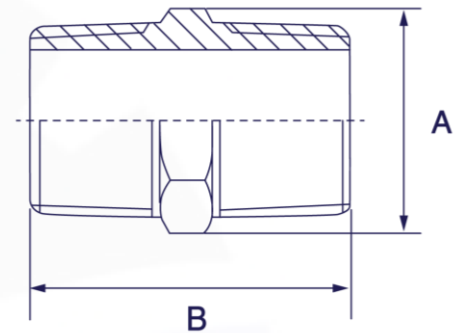


**HEX NIPPLE (BSPT THREADED)**

Size	Part No.	Impa Code	A	B	Weight (Kg)
1/8"	FL-S-NH-R-150-02	73 25 46	12.0	29.5	0.0163
1/4"	FL-S-NH-R-150-04	73 25 47	14.0	26.0	0.0310
3/8"	FL-S-NH-R-150-06	73 25 48	18.0	28.0	0.0418
1/2"	FL-S-NH-R-150-08	73 25 49	22.0	33.5	0.0615
3/4"	FL-S-NH-R-150-12	73 25 50	28.0	38.0	0.0912
1"	FL-S-NH-R-150-16	73 25 51	35.0	41.5	0.1468
1 1/4"	FL-S-NH-R-150-20	73 25 52	44.0	47.5	0.2050
1 1/2"	FL-S-NH-R-150-24	73 25 53	50.0	47.5	0.2706
2"	FL-S-NH-R-150-32	73 25 54	62.0	55.0	0.4360
2 1/2"	FL-S-NH-R-150-40	-	78.0	67.0	0.8210
3"	FL-S-NH-R-150-48	-	91.0	75.0	1.0813
4"	FL-S-NH-R-150-64	-	116.0	81.0	1.5380


**HEX NIPPLE (NPT THREADED)**

Size	Part No.	Impa Code	A	B	Weight (Kg)
1/8"	FL-S-NH-N-150-02	-	12.0	29.5	0.0163
1/4"	FL-S-NH-N-150-04	-	14.0	26.0	0.0310
3/8"	FL-S-NH-N-150-06	-	18.0	28.0	0.0418
1/2"	FL-S-NH-N-150-08	-	22.0	33.5	0.0615
3/4"	FL-S-NH-N-150-12	-	28.0	38.0	0.0912
1"	FL-S-NH-N-150-16	-	35.0	41.5	0.1468
1 1/4"	FL-S-NH-N-150-20	-	44.0	47.5	0.2050
1 1/2"	FL-S-NH-N-150-24	-	50.0	47.5	0.2706
2"	FL-S-NH-N-150-32	-	62.0	55.0	0.4360
2 1/2"	FL-S-NH-N-150-40	-	78.0	67.0	0.8210
3"	FL-S-NH-N-150-48	-	91.0	75.0	1.0813
4"	FL-S-NH-N-150-64	-	116.0	81.0	1.5380